

Name: _____

5-a-day

Higher

18th May

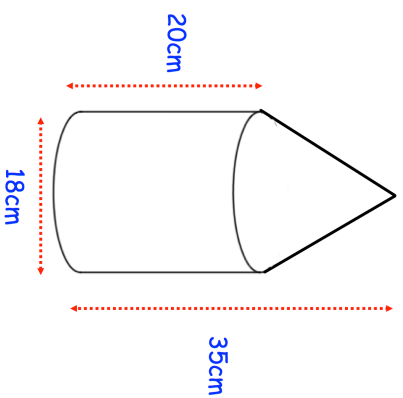
Estimate the cube root of 700



Make w the subject of

$$2c - 5w = 9 - cw$$

Calculate the volume.
Give your answer in terms of π



Expand $\sqrt[3]{27}(\sqrt{2} + \sqrt{3})$

Name: _____

5-a-day

Higher

18th May

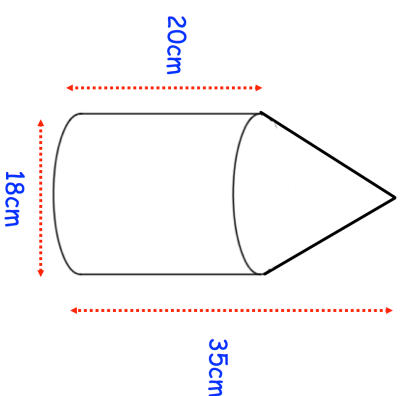
Estimate the cube root of 700



Make w the subject of

$$2c - 5w = 9 - cw$$

Calculate the volume.
Give your answer in terms of π



Expand $\sqrt[3]{27}(\sqrt{2} + \sqrt{3})$