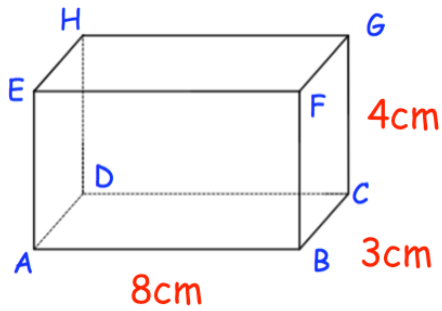


26th November



Corbettmaths



Work out the length of BH

$$y = 10x^4 - \frac{4}{x^3}$$

Work out $\frac{dy}{dx}$

Solve the simultaneous equations

$$7x + 5y + 4z = 23$$

$$21x - 10y + 6z = -4$$

$$7x + 15y - 2z = -15$$

$$4\sin^2x + 9\cos^2x \equiv A + B\cos^2x$$

Work out the values of A and B.