

17th April

Foundation 5-a-day



Corbettmαths

3 7 2 8 10

Work out the mean

Work out the range

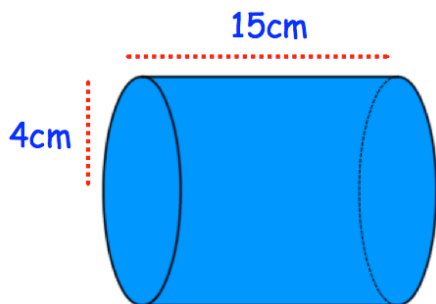
Work out the median

A taxi journey costs £4 for 5 miles.

How much is the cost for a 8 mile journey?

£240 is divided between Nisha, Rafia and Joyann in the ratio 6:1:8

How much does each get?



Calculate the volume of this cylinder

Write 90 as a product of primes