

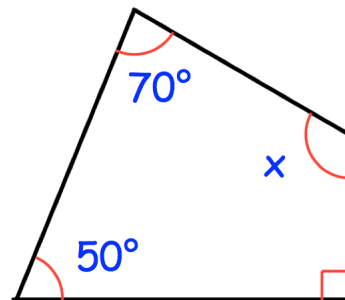


Work out 12^4

0.16 14% $\frac{3}{20}$ 0.2 9%

Write these numbers in order of size.
Start with the smallest number.

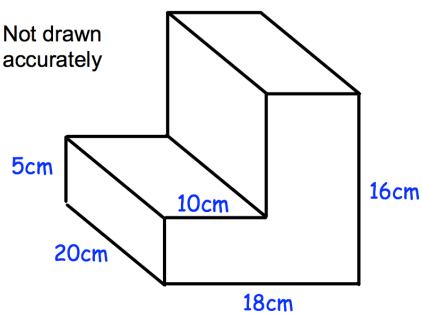
Find x



$\frac{4}{5}$ of y is 20.

Find the size of y.

Not drawn accurately



Calculate the volume