

27th April

Foundation 5-a-day



Corbettmαths

Work out 1.9×0.12

$$19 \times 12 = 228$$

$$0.228$$

Work out $12 \div 0.3$

$$120 \div 3 = 40$$

$$40$$

Work out 65% of 80

$$50\% = 40$$

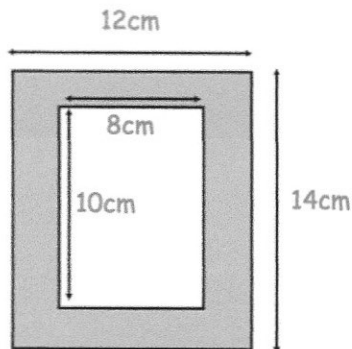
$$10\% = 8$$

$$5\% = 4$$

$$\begin{array}{r} 40 \\ + 8 \\ + 4 \\ \hline 52 \end{array}$$

How far would you travel if you drove at 60mph for 5 hours 15 minutes?

$$5.25 \times 60 = 315 \text{ miles}$$



Work out the shaded area.

$$12 \times 14 = 168$$

$$8 \times 10 = 80$$

$$\begin{array}{r} 168 \\ - 80 \\ \hline 88 \text{ cm}^2 \end{array}$$