

17th August

Foundation 5-a-day



Corbettm@ths

Write the next two terms

0.8 0.4 0.2 ....

0.1, 0.05

Write the next two terms

1 5 25 ....

125, 625

Expand  $6(x - 2)$

$6x - 12$

Work out

$$\frac{5}{6} - \frac{1}{2}$$

$$\frac{5}{6} - \frac{3}{6} = \frac{2}{6}$$

$$\frac{1}{3}$$

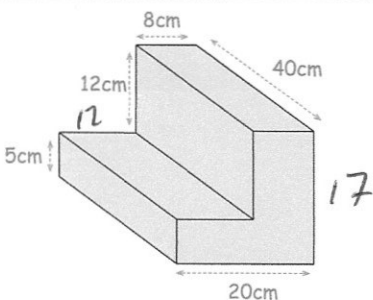
	French	Art
Female	8	3
Male	7	3

A student is chosen at random.

What is the probability they study French?

$$8 + 7 + 3 + 3 = 21$$

$$\frac{15}{21} = \frac{5}{7}$$



Calculate the volume of the prism.

$$(20 \times 17) - (12 \times 12) = 196$$

$$196 \times 40 = 7840 \text{ cm}^3$$