



Work out 12^4

$$12^2 = 144$$

$$\begin{array}{r} 12 \times 12 \times 12 \times 12 \\ \hline 144 \quad 144 \end{array}$$

$$\begin{array}{r} 144 \\ \times 144 \\ \hline 576 \\ 5760 \\ + 14400 \\ \hline 20736 \end{array}$$

0.16 14% $\frac{3}{20}$ 0.2 9%
 16% 15% 20%

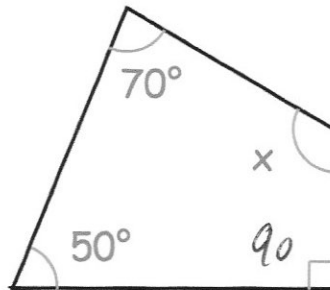
Write these numbers in order of size.
 Start with the smallest number.

9% 14% $\frac{3}{20}$ 0.16 0.2

Find x

$$50 + 70 + 90 = 210$$

$$360 - 210 = 150^\circ$$



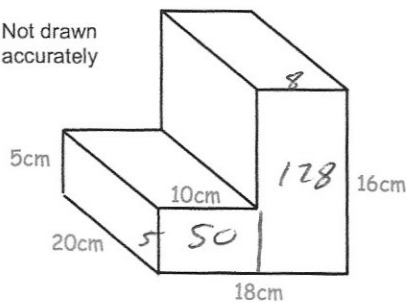
$\frac{4}{5}$ of y is 20.

Find the size of y.

$$20 \div \frac{4}{5} = 5$$

$$5 + 5 = 25$$

Not drawn accurately



Calculate the volume

$$50 + 128 = 178$$

$$178 \times 20 = 3560 \text{ cm}^3$$