



Work out the mean.

$$19 + 8 + 5 + 13 + 21 + 0 = 66$$

$$66 \div 6 = 11$$

Work out the median

$$0 \quad 5 \quad 8 \quad 13 \quad 19 \quad 21$$

↑
10.5

Work out 4^3

$$4 \times 4 \times 4 = 64$$

$$=$$

Factorise $3x + 9$

$$3(x + 3)$$

Factorise $y^2 + 5y$

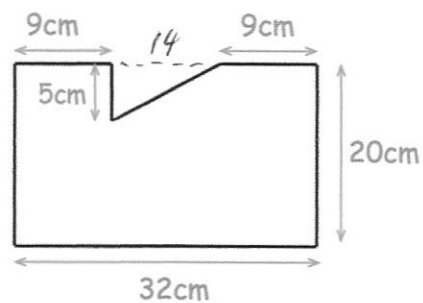
$$y(y + 5)$$

Work out the area of this shape

$$20 \times 32 = 640$$

$$\frac{1}{2}(14) \times 5 = 35$$

$$640 - 35 = 605 \text{ cm}^2$$



Aoife has 20p coins and 50p coins in the ratio 4 : 9

Aoife has £4 of 20p coins. $5 \times 4 = 20$

How many 50p coins does she have?

$$20 \div 4 = 5$$

$$5 \times 9 = \underline{\underline{45}}$$