

2nd May

Foundation 5-a-day



Corbettmαths

Work out the median

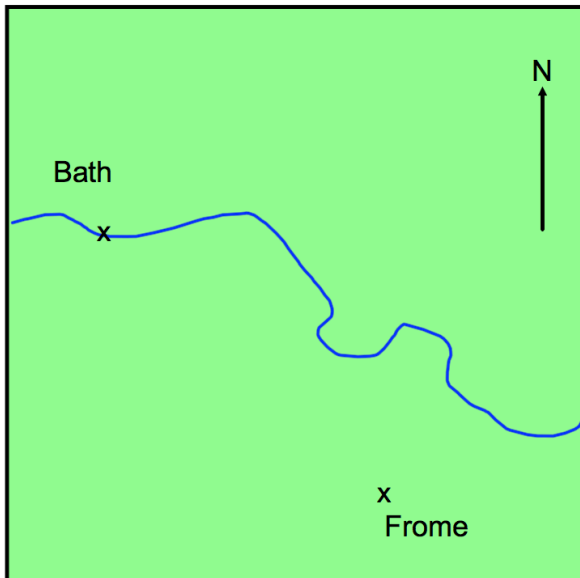
3 8 4 8 3 5 9

Work out the range

3 8 4 8 3 5 9

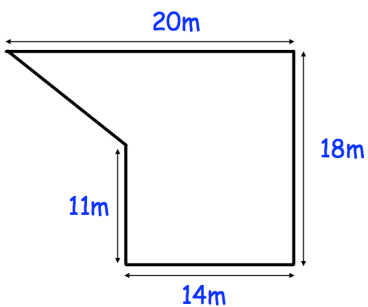
Ian is 1.83m tall
Donna is 6cm shorter

What is Donna's height in metres?



Find the bearing of Frome from Bath.

Find the bearing of Bath from Frome.



Find the area of the shape.