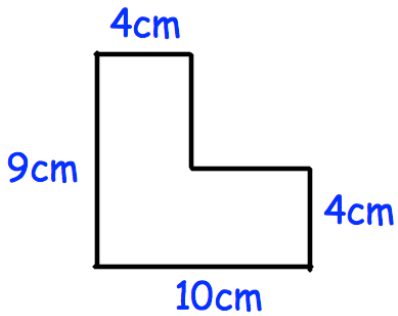


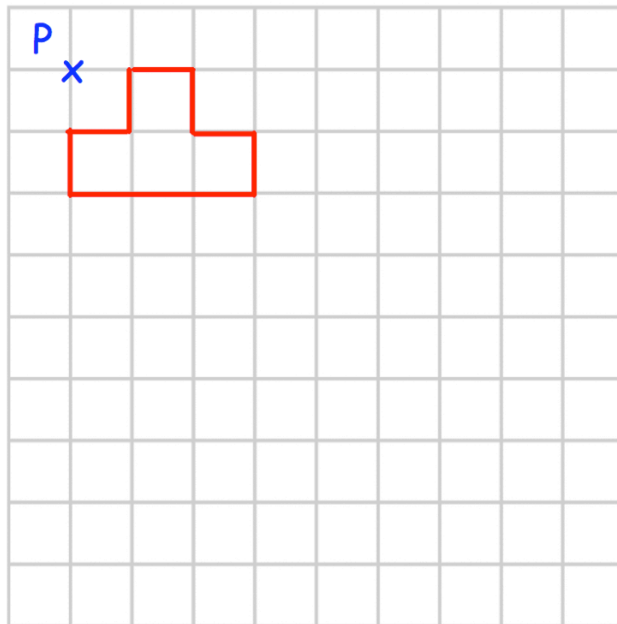


Oranges cost x pence each.
Apples cost y pence each.

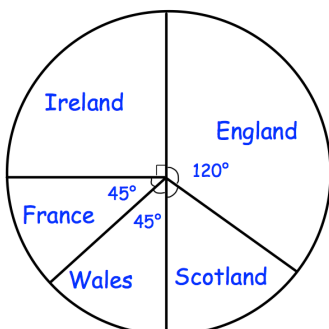
Write an expression for the total cost of an orange and 2 apples.



Calculate the perimeter



Enlarge the shape with scale factor 3 using P as the centre of enlargement.



2400 fans were asked which team they support.

How many support Scotland?