



Work out the mean.

19 8 5 13 21 0

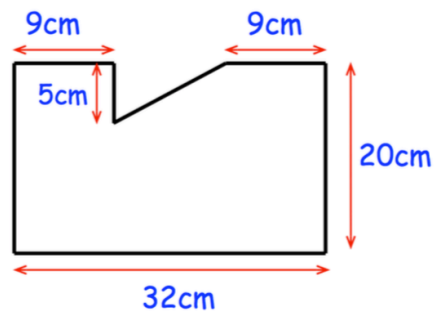
Work out the median

Work out 4^3

Factorise $3x + 9$

Factorise $y^2 + 5y$

Work out the area of this shape



Aoife has 20p coins and 50p coins in the ratio 4 : 9

Aoife has £4 of 20p coins.

How many 50p coins does she have?