



Write in standard form

$$594.112 \times 10^{12}$$

$$5.94112 \times 10^{14}$$

Write in standard form

$$0.0007 \times 10^{-10}$$

$$7 \times 10^{-14}$$

Solve

$$x^2 + x - 20 = 0$$

$$(x + 5)(x - 4) = 0$$

$$x = -5 \text{ or } x = 4$$

In a sale the price of a sofa is reduced by 70%.

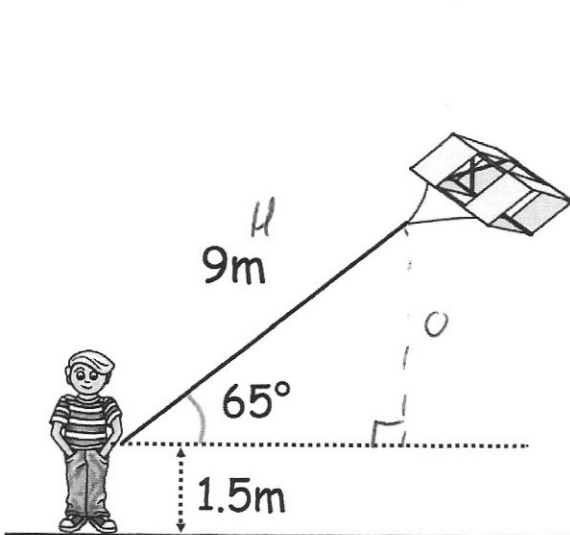
The sale price is £255

Work out the price before the sale.

$$30\% \text{ of } x = £255$$

$$1\% \text{ of } x = £8.50$$

$$100\% \text{ of } x = \underline{\underline{£850}}$$



Hugo is flying a kite.

The string is held 1.5m above the ground.

The kite is on a string which is 9m long. The string makes an angle of 65° with the horizontal.

Calculate the height of the kite above the ground.

$$\sin(65) \times 9 = 8.156\dots$$

$$8.156\dots + 1.5 =$$

$$9.657 \text{ m}$$