

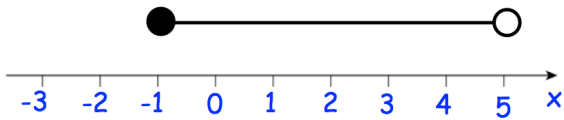


Factorise

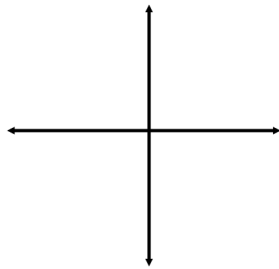
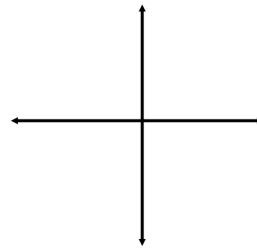
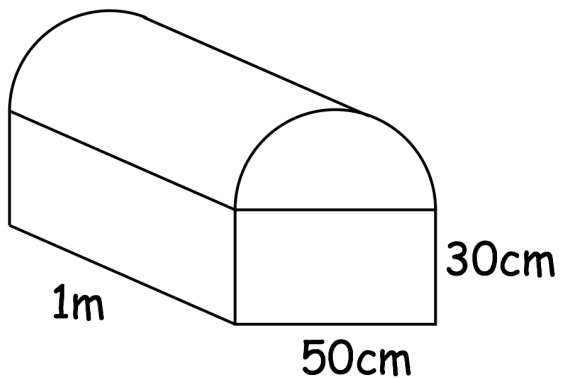
$$x^2 + 3x - 10$$

Factorise

$$x^2 - 3x - 4$$



Write the inequality shown

Sketch  $y = x^3$ Sketch  $y = \frac{1}{x}$  where  $x \neq 0$ 

Shown above is a prism that is 1m long.

The cross-section of the prism is a semi-circle above a rectangle.

Calculate the volume of the prism.  
Give your answer correct to 1 decimal place.