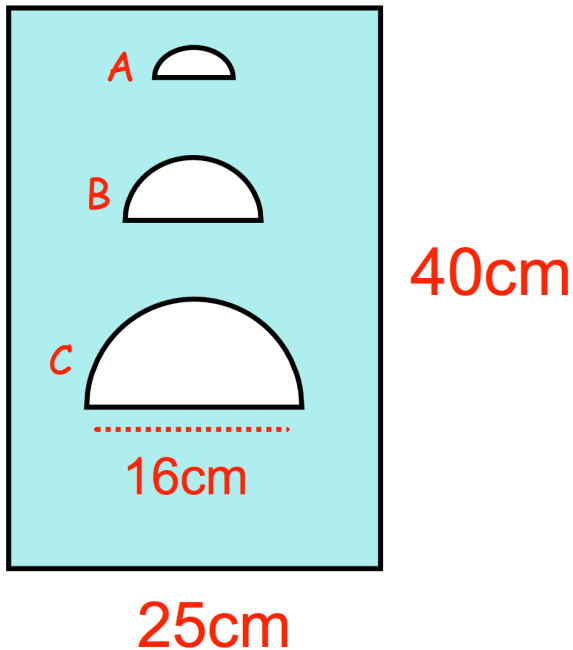




Find the LCM of 250 and 84



Three mathematically similar semi-circles are cut out of a piece of metal.

Semi-circle B is an enlargement of semi-circle A with scale factor 2.

Semi-circle C is an enlargement of semi-circle B with scale factor 2.

The diameter of semi-circle C is 16cm.

Work out the shaded area.

A savings account earns 10% a year.

£2000 is invested.

How much interest is earned over 3 years?

At a safari park, the ratio of lions to tigers is 7:4.

The ratio of elephants to tigers is 1:2

Write down the ratio of lions to tigers to elephants in the safari park.