



Tick the correct box

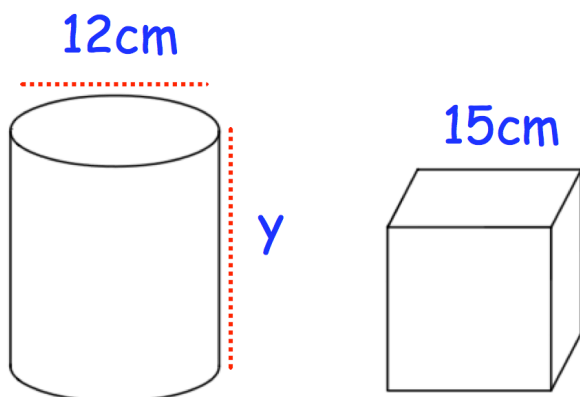
$$8^{-2}$$

Greater than 0 Equal to 0 Less than 0 

Simplify

$$\frac{\pi}{3} \times \frac{\pi}{2}$$

James says  $(a + b)^2 = a^2 + b^2$   
Is he correct?



Find y.

A cylinder has diameter 12cm and height y.  
A cube has side length 15 cm.  
The cylinder and cube have the same volume.