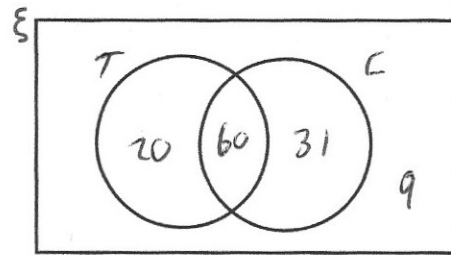


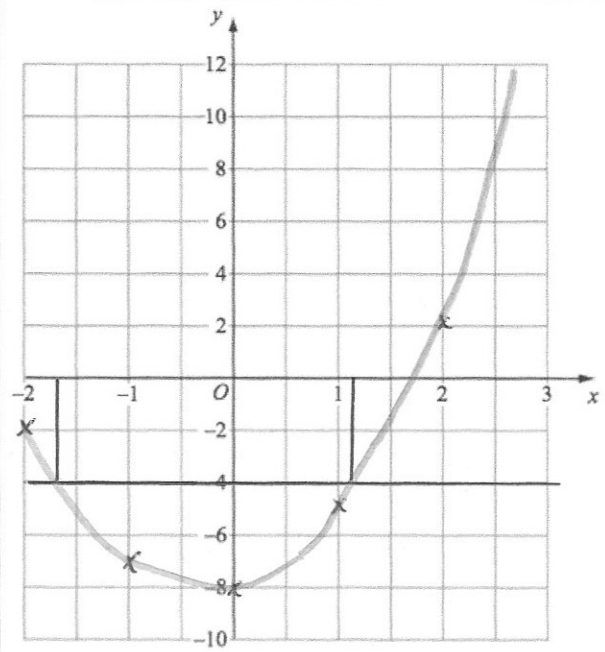


120 people are surveyed.
 60 people liked tea and coffee.
 75% of the people who liked tea, also liked coffee.
 9 people did not like either tea or coffee.
 Complete the Venn diagram.



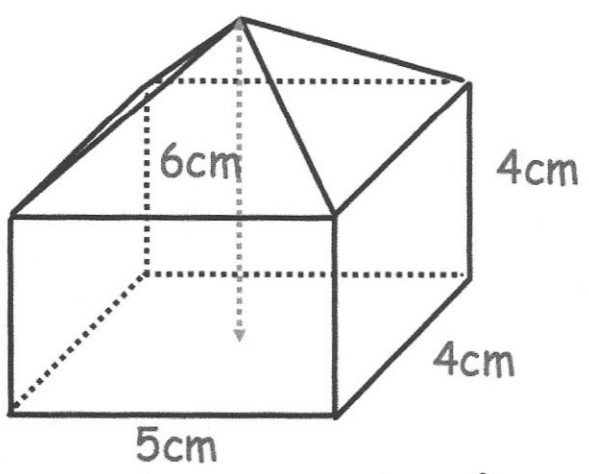
On the grid, draw $y = 2x^2 + x - 8$ from $x = -2$ to $x = 2$

x	-2	-1	0	1	2
y	-2	-7	-8	-5	2



Using your graph, solve $2x^2 + x - 8 = -4$

$x = 1.2$
 or
 $x = -1.7$



$5 \times 4 \times 4 = 80 \text{ cm}^3$
 10 cm^3 in pyramid.

Shown is a container made of a pyramid and a cuboid.
 90cm³ of water is poured into the container.
 How high above the base of the container will the water reach?

$V = \frac{1}{3} \times 20 \times 2$
 $= 13.3 \text{ cm}^3$
 $V = 13.3 \div 4 \rightarrow V = 3.3 \text{ cm}^3$
 Volume $\div 4$
 Sides $\div \sqrt[3]{4}$
 $= 1.587...$
 $h = 2$
 $h = 1.259...$
 $\div \sqrt[3]{4}$
 $2 - 1.259... = 0.7401$
 4.7401 cm