

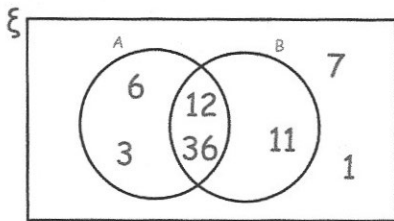
Simplify $4\sqrt{6} \div 2\sqrt{2}$

$$2\sqrt{3}$$

Simplify $2\sqrt{2} \times 3\sqrt{8}$

$$6\sqrt{16}$$

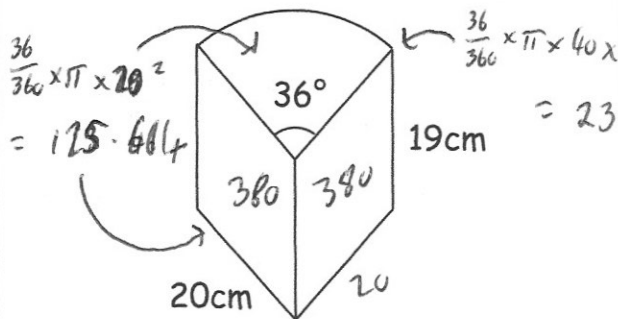
$$6 \times 4 = 24$$



Write down the numbers that are in set

 $A' \cap B'$

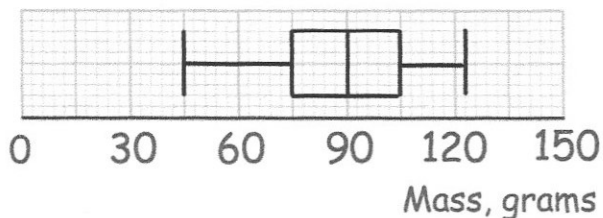
1 & 7



Calculate the surface area.

$$380 + 380 + 238.761 + 2 \times 125.664 = 1250 \text{ cm}^2 \text{ to nearest cm}^2$$

The box plot below shows information about the mass of the apples in a crate.



Jack is going to select apples at random from the crate.

After selecting each apple, he records its mass and returns it to the crate before picking another.

Work out the probability that:

Jack picks two apples, both under 75g

$$\frac{1}{4} \times \frac{1}{4} = \frac{1}{16}$$

Jack picks two apples, both over 90g

$$\frac{1}{2} \times \frac{1}{2} = \frac{1}{4}$$