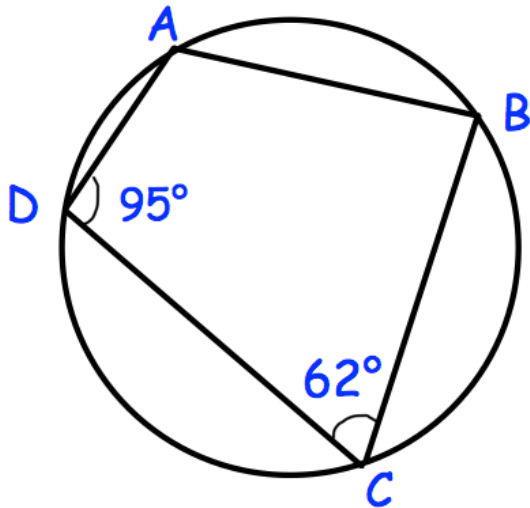




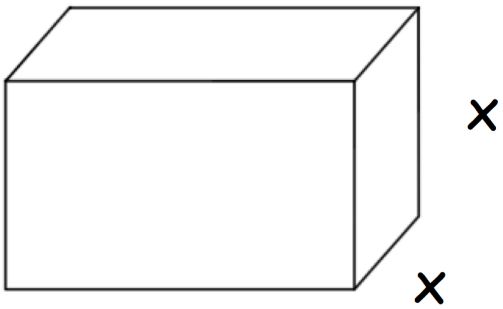
Make x the subject of $T = 2x^3 - y$



Find angle ABC

Find angle DAB

$x + 6$



Show $x^2 + 4x - 45 = 0$

Find x .

The surface area of the cuboid is 270cm^2 .