

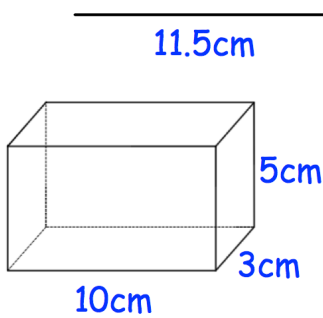


Ciara has a box of 1200 counters. She takes out 40 counters and 7 of them were red. Ciara then returns the counters to the box.

Use this information to estimate how many of the counters in the box are red.

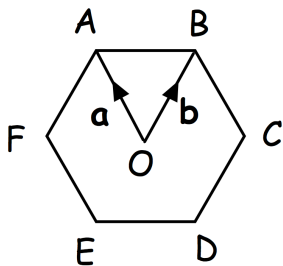
Simplify fully

$$\frac{x^2 + 8x}{x^2 - 64}$$



Is it possible to fit a thin, straight rod that is 11.5cm entirely inside the box?

ABCDEF is a regular hexagon.



Find in terms of **a** and **b** the vector

\vec{BA}

Find in terms of **a** and **b** the vector

\vec{FC}

Find in terms of **a** and **b** the vector

\vec{ED}