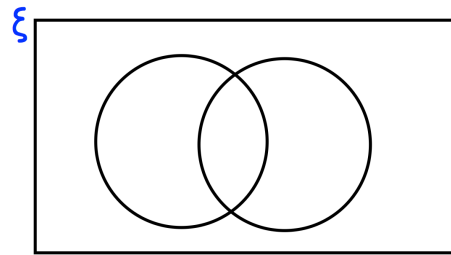
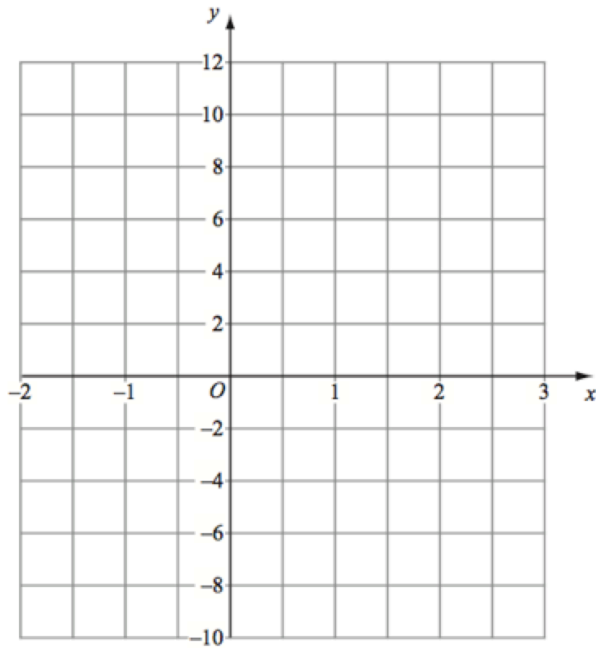




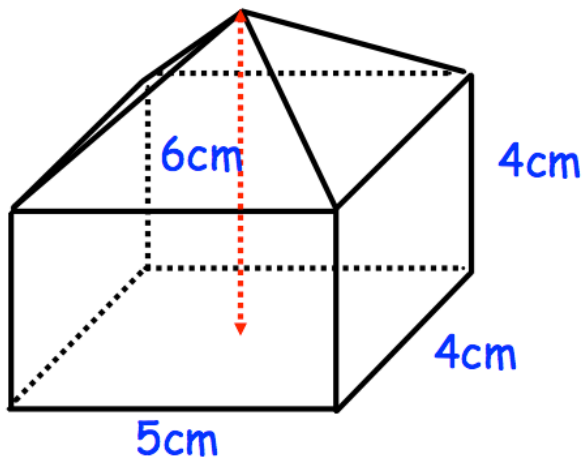
120 people are surveyed.
 60 people liked tea and coffee.
 75% of the people who liked tea, also liked coffee.
 9 people did not like either tea or coffee.
 Complete the Venn diagram.



On the grid, draw $y = 2x^2 + x - 8$ from $x = -2$ to $x = 2$



Using your graph, solve $2x^2 + x - 8 = -4$



Shown is a container made of a pyramid and a cuboid.
 90cm³ of water is poured into the container.
 How high above the base of the container will the water reach?