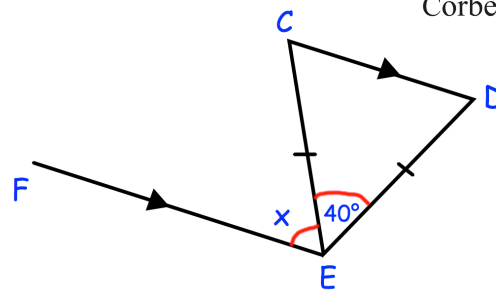




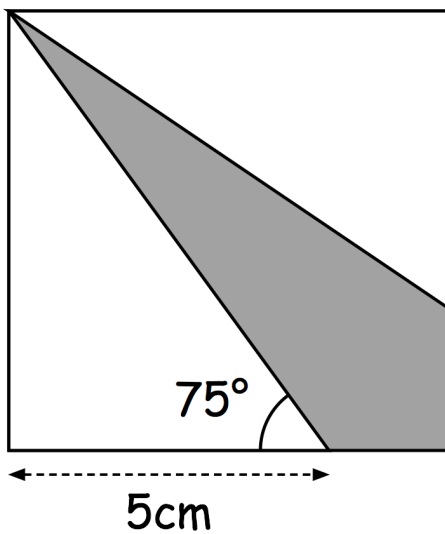
Find angle CEF



Factorise

$$5y^2 + 12y - 9$$

Find the coordinates of the point where the linear graphs $y = 4x + 1$ and $y = 6 - 3x$ intersect.



The diagram shows a square. Two congruent triangles are shown.

Calculate the area of the shaded region.