

Cuboid A and cuboid B are similar.
The surface area of cuboid A is 500cm^2 .
Work out the surface area of cuboid B.

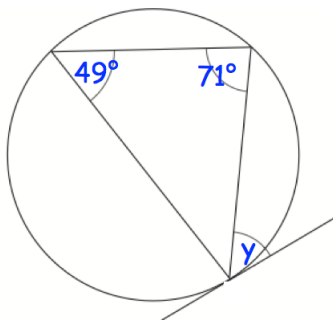
The force, F newtons, exerted by a magnet on a metal object is inversely proportional to the square of the distance d cm.

When $d = 2$ cm, $F = 50$ N.

Express F in terms of d .

Make w the subject of

$$5(w - 2a) = 3w + 7$$



Shown is a tangent to a circle.

Find y and give a reason for your answer.

Shown is triangle RST.
Angle SRT is 53° , to the nearest degree.
ST is 17cm to the nearest centimetre.
Work out the upper bound for the length of RS.

