

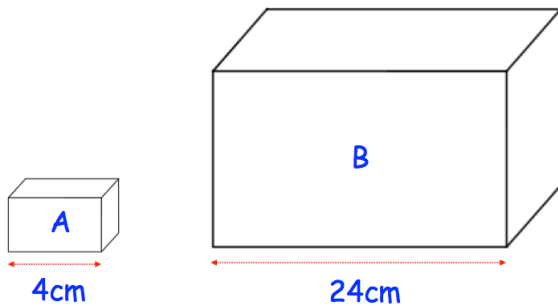


Simplify

$$(16x^4)^{\frac{1}{2}}$$

Each side of a regular hexagon has a side length of 3.2cm to 1 decimal place.

Write down the error interval for the perimeter of the hexagon.

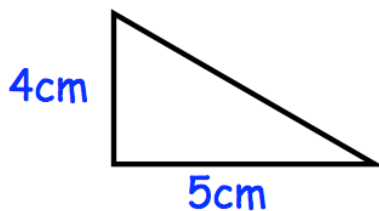


Shown are two mathematically similar cuboids.

The volume of cuboid A is 30cm^3

Find the volume of cuboid B.

Find the length of the hypotenuse.
Give your answer as a surd.



Simplify

$$\frac{7x^2 - 4x - 3}{x^2 - 1}$$