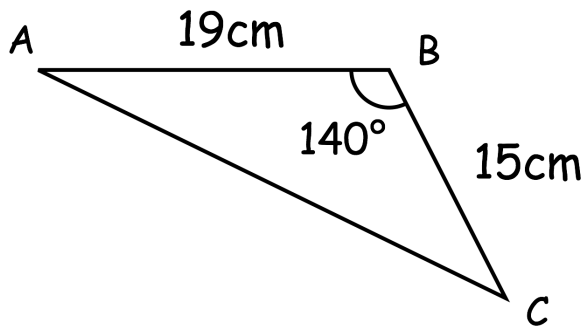


Find the area of the sector.



Work out the area of the triangle.

A car travels at 50mph to the nearest 10mph.

It travels 220 miles to the nearest 10miles.

What is the shortest possible time taken for this journey?

Helen is taking part in a quiz on TV.
The probability she answers a question correctly is $\frac{4}{5}$

Helen is asked three questions

Calculate the probability she answers all three questions correctly.

An oil tank loses 32% of its contents every hour.
Theo says the tank will have lost 95% of its original contents by the end of the sixth hour.

Is Theo correct?