

Simplify  $\sqrt{98}$ 

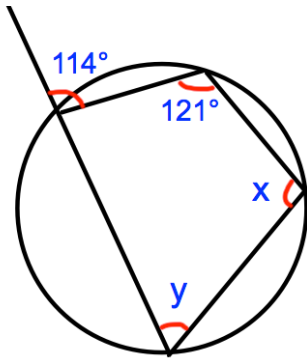
$$(x + 4)^2 \equiv x^2 + 8x + 16$$

$$(x + 4)^2$$

$$(x + 4)^2 < 10$$

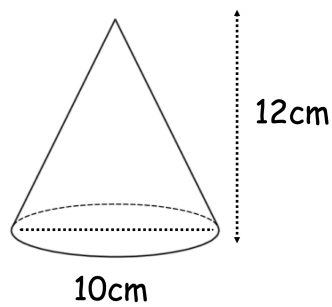
$$(x + 4)^2 = x - 3$$

Circle the identity



Find x and y

A cube has the same volume as the cone.  
Calculate the side length of the cube.

Work out  $10000^{\frac{3}{4}}$