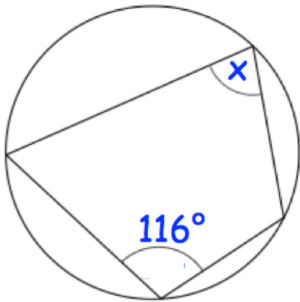


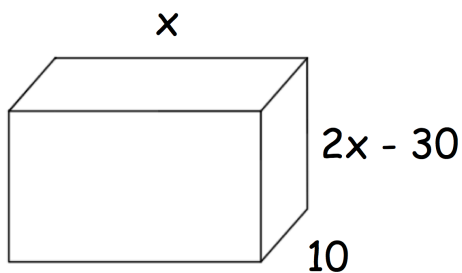


Write down a fraction which is a recurring decimal

Write down a fraction which is a terminating decimal



Find x



The diagram shows a cuboid.
The volume of the cuboid is 5000cm^3 .

Show $2x^2 - 30x - 500 = 0$

Solve $2x^2 - 30x - 500 = 0$ to find x , the length of the cuboid.

Mia is creating an 6 digit password.

The first two digits are a multiple of 15.

The second two digits are an odd number between 50 and 80.

The last two digits are the same.

How many possible different possible codes could Mia create?