



$$f(x) = 1 + \cos x^\circ$$

Find  $f(100)$

Give your answer to 3 decimal places.

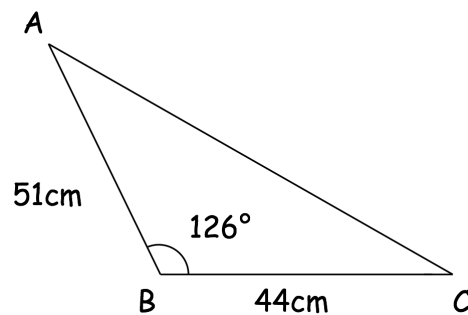
Work out  $8^{\frac{4}{3}}$

The probability that Nita passes her English exam is 0.7 and the probability that she passes her French exam is  $x$ .

The probability she fails both exams is 0.06

Find  $x$

Find the area of triangle ABC



Expand and simplify  $(2 + \sqrt{5})^2$