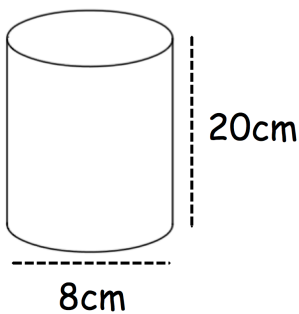




Simplify $\sqrt{2} \times \sqrt{3} \times \sqrt{2} \times \sqrt{3}$

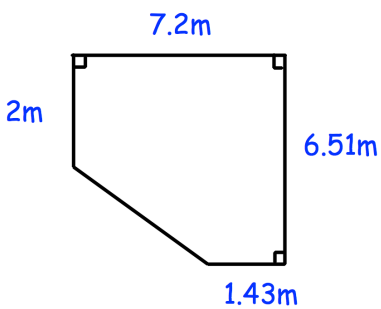
Simplify $\sqrt{48} - \sqrt{3}$

A lead rod is placed on a table.



The rod is a cylinder with diameter 8cm and height 20cm.
The force exerted on the table is 111.72 newtons.

Work out the pressure in newtons/m²



Find the perimeter of the shape.

Solve $5y^2 + 8y - 100 = y^2 + 4y - 37$