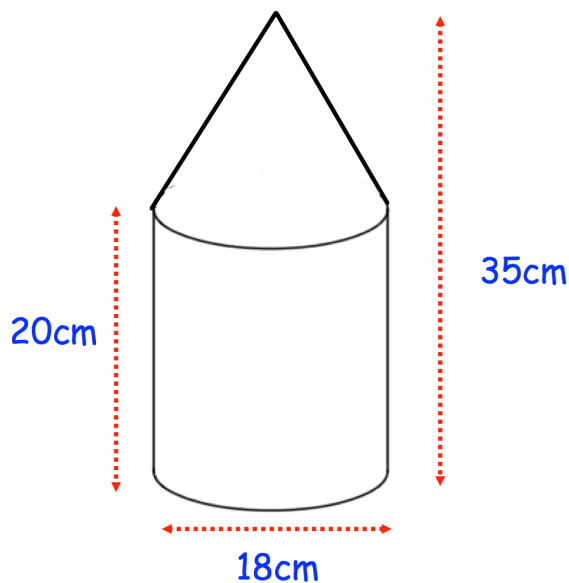




Estimate the cube root of 700

Make w the subject of

$$2c - 5w = 9 - cw$$



Calculate the volume.
Give your answer in terms of π

Expand $\sqrt{27}(\sqrt{2} + \sqrt{3})$