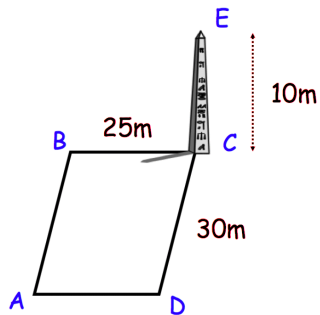




Estimate  $\sqrt[4]{800}$



An obelisk is situated in the corner of a rectangular field (drawn from 3D perspective). Calculate the distance AE.

Solve

$$5y^2 + 8y - 100 = y^2 + 4y - 37$$

Expand  $\sqrt{3}(\sqrt{5} + \sqrt{2})$

Two solids are mathematically similar.  
 The surface area of the smaller solid is  $42\pi \text{ cm}^2$   
 The surface area of the larger solid is  $1512\pi \text{ cm}^2$   
 The height of the larger solid is 96cm.

Work out the height of the smaller solid.