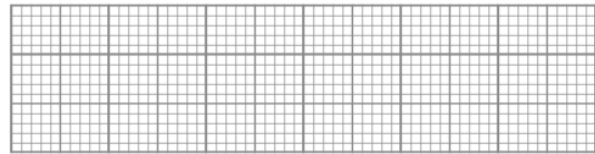




Work out $125^{\frac{2}{3}}$

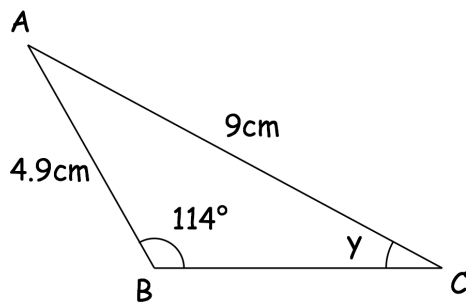
Lowest Value	2
Lower Quartile	7
Median	9
Upper Quartile	10
Highest Value	13



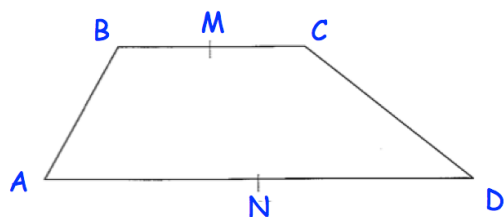
Draw a box plot to show this information

£5200 is invested at 2.8% compound interest per annum.

How many years will it take for the investment to exceed £7000.



Find y



$\vec{AB} = 4a$ $\vec{BC} = 4b$ $\vec{AD} = 6b$

Find

\vec{CD}