



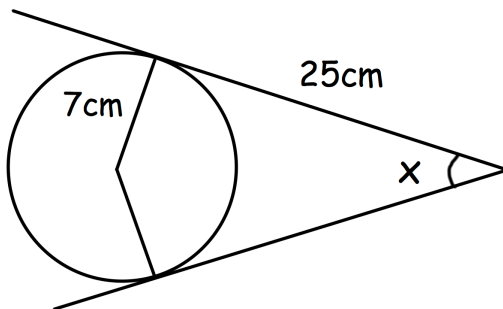
Find the range of values of x that satisfies both

$$4(x + 5) < 100 \text{ and } 2x + 5 > 17$$

A dice is rolled.
A coin is flipped.

What is the probability of getting a tail and a prime number?

Simplify $9\sqrt{35} \div 3\sqrt{5}$



Shown is a circle, two tangents and two radii.
Find the size of the angle marked x .

Work out $100000^{\frac{3}{5}}$