

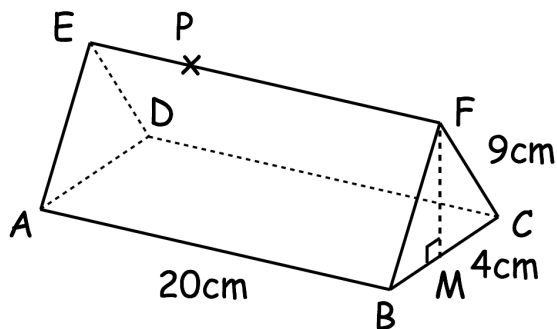


Pyramid A and pyramid B are mathematically similar.

The surface area of B is 6.25 times larger than the surface area of A.

Write the ratio of the volume of A to the volume of B

Shown is a triangular prism.



M is the midpoint of BC.

P is a point on EF such that

$EP : PF = 1 : 4$

Calculate the size of the angle between planes ABFE and CDEF.

Calculate the size of angle FPM

Find the largest angle in a triangle whose sides have lengths 4cm, 7cm and 8cm.

Point A has coordinates (4, 8)
Point B has coordinates (10, -6)

Find the equation of the line perpendicular to AB, that passes through the midpoint of AB.