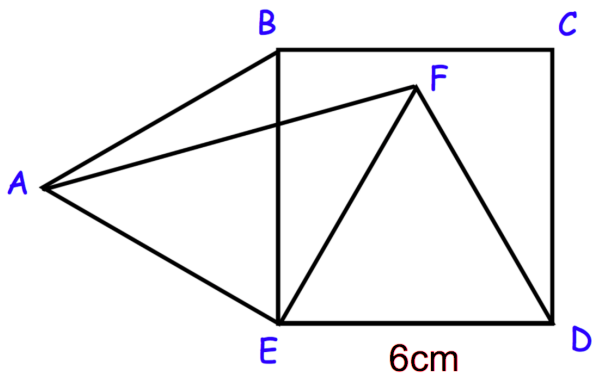




Find the minimum point of the graph
 $y = x^2 - 6x + 7$

The set of values for x that satisfies a quadratic inequality is
 $x < -0.5$ or $x > 1.5$

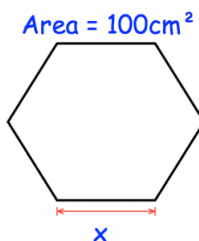
Write down a possible quadratic inequality.



BCDE is a square
 DFE and ABE are equilateral triangles

Find the length of AF

Below is a regular hexagon with an area of 100cm^2



Find x