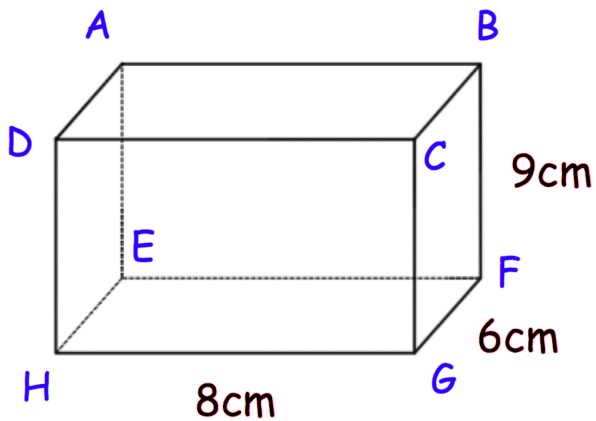




$$g(x) = 3 - x \quad h(x) = x^3$$

Solve  $gh(x) = 30$

ABCDEFGH is a cuboid



Calculate the length of FH

Calculate the size of angle AGE

Here are six number tiles.



Two tiles are taken without replacement.

Work out the probability that the number on the second is less than the number on the first tile.

Make  $c$  the subject of

$$\frac{5}{a} + \frac{b}{2} - \frac{7}{c} = 0$$