

Find the two possible values of θ

Express as a single fraction

$$4 - \frac{x+5}{x-5} - \frac{x+1}{x+5}$$

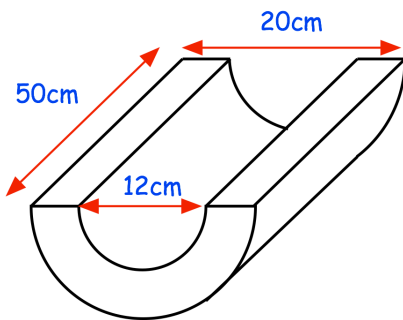
Kelvin bakes some brown bread loaves and some white bread loaves. He bakes 50% more brown bread loaves.

He slices $\frac{3}{20}$ of the brown bread loaves.

He slices $\frac{1}{8}$ of the white bread loaves.

Kelvin has sliced 28 of all the loaves that he has baked.

Find how many loaves Kelvin baked.



Calculate the surface area

The line $y = x + 4$ and the curve $y = x^2 + 3x + 4$ intersect at the points A and B.

Find the distance between the points A and B.