



The events A and B are mutually exclusive.

$$P(A) = 0.5$$

$$P(B) = 0.4$$

Find $P(A \cap B)$

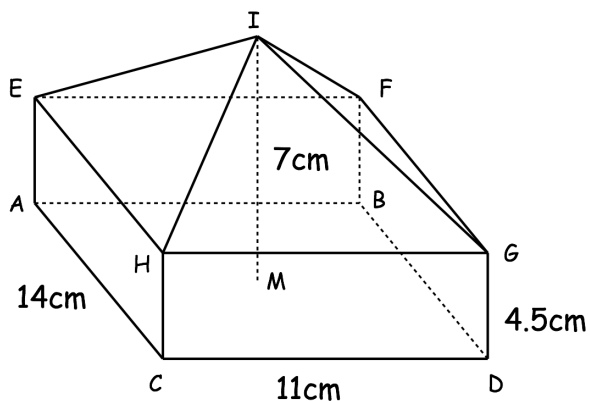
Write in the form $a\sqrt{b}$, where a and b are integers to be found.

$$\frac{30}{\sqrt{6}}$$

Calculate an estimate of the median

Time taken	Frequency
$0 < t \leq 10$	135
$10 < t \leq 20$	244
$20 < t \leq 30$	555
$30 < t \leq 50$	106
$50 < t \leq 100$	20

The diagram shows a cuboid and a pyramid.
The apex of the pyramid, I, is directly above the centre, M, of ABDC.



Calculate the size of angle MDI