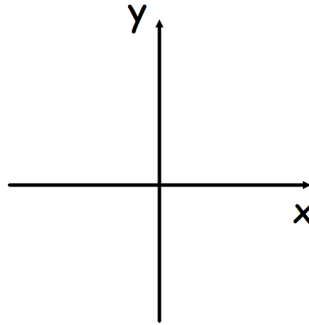




Sketch

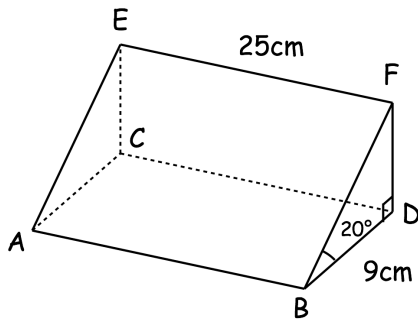
$$y = \frac{1}{x}$$



$$f(x) = (x + 5)^3$$

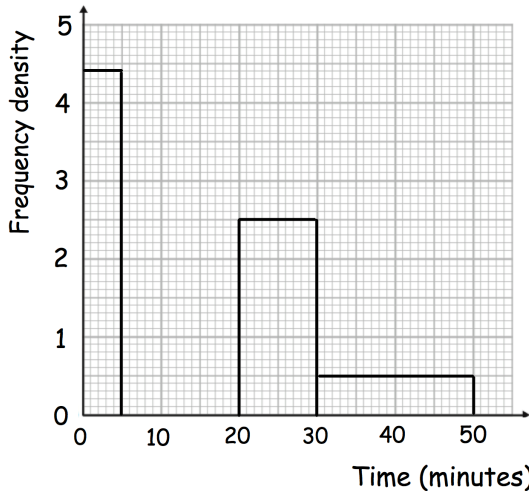
Work out the value of

$$f^{-1}(-27)$$



Work out the size of angle CBE

The histogram and frequency table show some information about how many minutes late some flights were.



Complete the histogram and frequency table.

Minutes late, t	Frequency
$0 < t \leq 5$	22
$5 < t \leq 10$	24
$10 < t \leq 20$	38
$20 < t \leq 30$	
$30 < t \leq 50$	

30 flights were more than X minutes late.

Calculate an estimate of X.