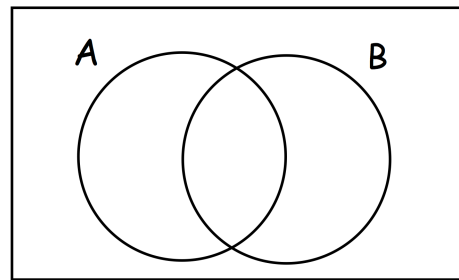




Show $A' \cap B'$ on the Venn diagram.



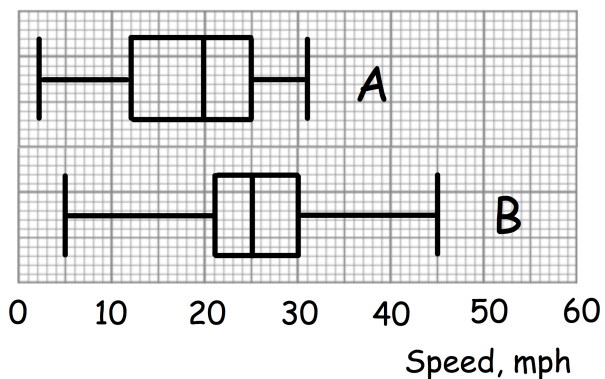
Solve $2x^2 - 19x + 35 = 0$

$a(w + s) = e$

Rearrange to make w the subject.

The box plots show the speeds of cars travelling through two villages, A and B.

The speed limit in both villages is 30mph.



Compare the distributions of the speeds of the cars in village A and village B.

Lori thinks there should be a speed camera installed in village B.

What percentage of the cars exceeded the speed limit in village B?