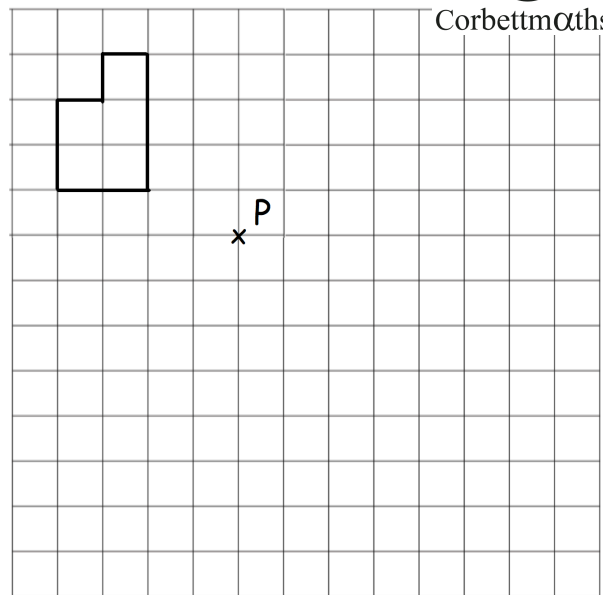


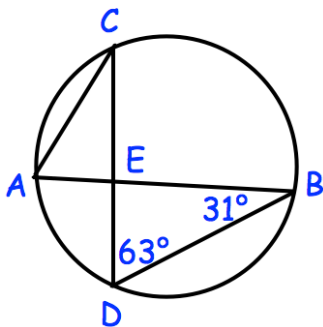


Enlarge the shape by scale factor -1.5 , using the point P as centre of enlargement.

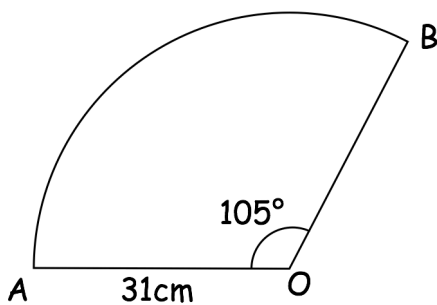


Simplify $\frac{x^2 - 13x + 42}{x^2 + 2x - 63}$

Felix has 8kg of sugar, correct to the nearest 100g.
 Each cake he makes use 300g of sugar, correct to the nearest 10g.
 What is the minimum amount of sugar that Felix could have left after making 6 cakes?



Find angles
 ACD
 AEC



Find the perimeter of sector OAB.