

Name:

Exam Style Questions

Angles: Types, drawing  
and measuring



Corbettmaths

Equipment needed: Pen, Ruler, Pencil

### Guidance

1. Read each question carefully before you begin answering it.
2. Check your answers seem right.
3. Always show your workings

Video Tutorial

[www.corbettmaths.com/contents](http://www.corbettmaths.com/contents)

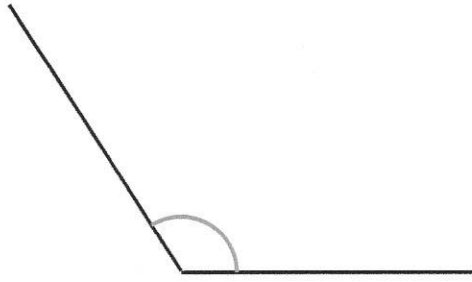
Videos 28, 31, 38



Answers and Video Solutions



1.



Which type of angle is shown above?

Circle your answer.

Reflex

Acute

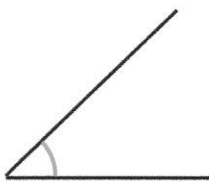
Obtuse

Right

(1)

2.

Shown below are four angles, A, B, C and D.



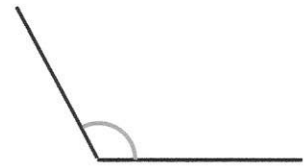
A



B



C



D

Which angle is a right angle?

B

(1)

3.

Which of the following types of angle is the smallest?



Circle the correct answer.

Obtuse

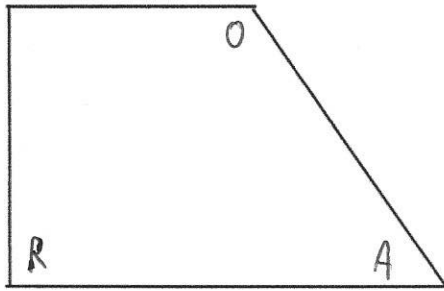
Right

Reflex

Acute

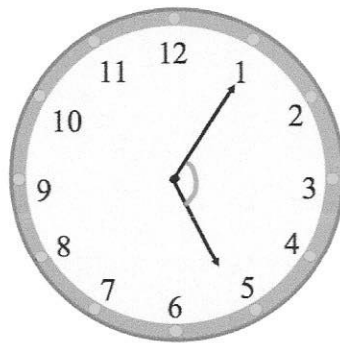
(1)

4. Here is a trapezium.



- (a) Mark a right angle with a letter R.  
*or top left* (1)
- (b) Mark an acute angle with a letter A. (1)
- (c) Mark an obtuse angle with a letter O. (1)

5. The clock shows the time, in the evening, James returns from work.



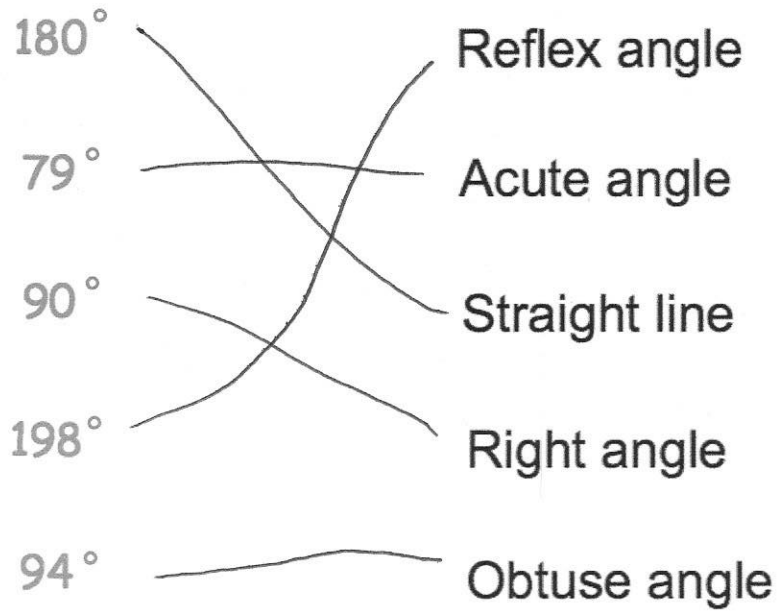
- (a) Write down the time shown on the clock.  
*5:05pm*  
..... (1)
- (b) Circle the type of angle marked between the hour and minute hand.  
Acute      Right      Obtuse      Reflex (1)

6.



Emma measures 5 angles.

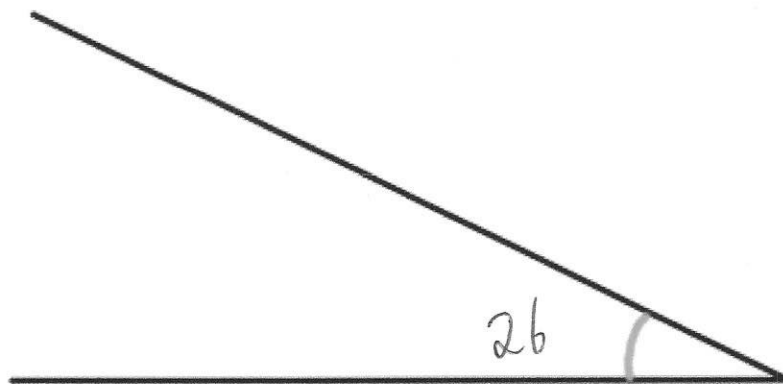
Shown below are the measurements and the type of angle.



Match each measurement to the correct type of angle.

(4)

7.



Measure the angle shown above.

*your answer may vary slightly  
depending on printing*

26°  
(1)

8. Here is a list of words connected with angles.



**Acute**

**Reflex**

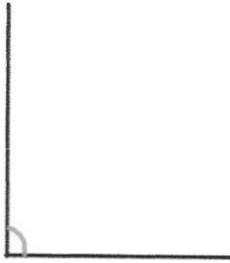
**Obtuse**

**Right**

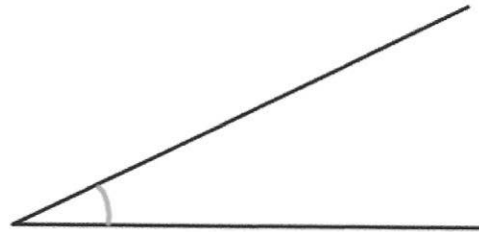
**Straight**

**Full-turn**

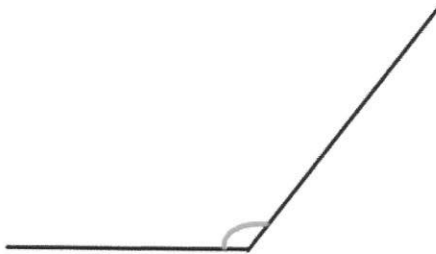
Choose the correct word to describe each angle.



Answer ..... *Right* ..... angle



Answer ..... *Acute* ..... angle



Answer ..... *Obtuse* ..... angle



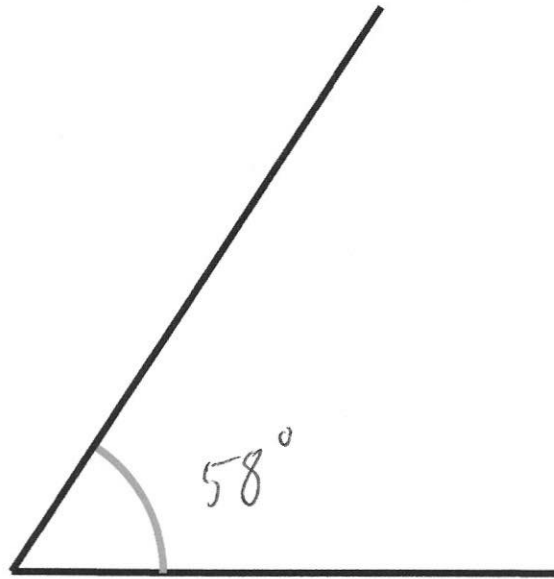
Answer ..... *Reflex* ..... angle

(3)

9. Roshni has been asked to draw a  $64^\circ$  angle in a test.



Here is her angle.



Roshni's teacher says

"if the angle is between  $62^\circ$  and  $66^\circ$ , I will give you a mark."

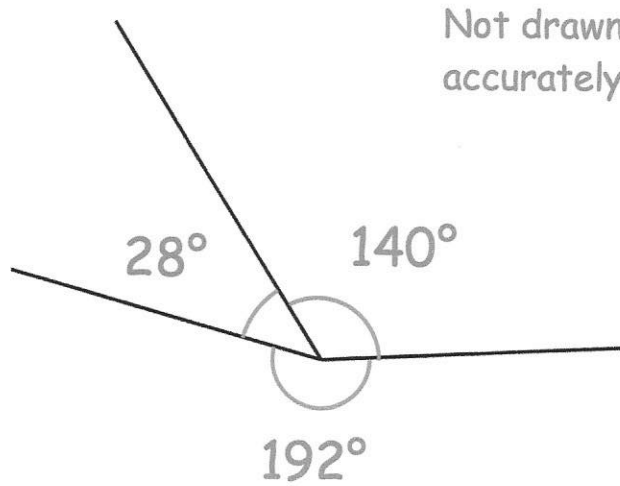
Will Roshni receive a mark for her angle?

Explain your answer.

No, the angle she drew is  $58^\circ$ .

(2)

10. Three angles meet at a point.



(a) Write down the size of the acute angle.

.....28.....degrees  
(1)

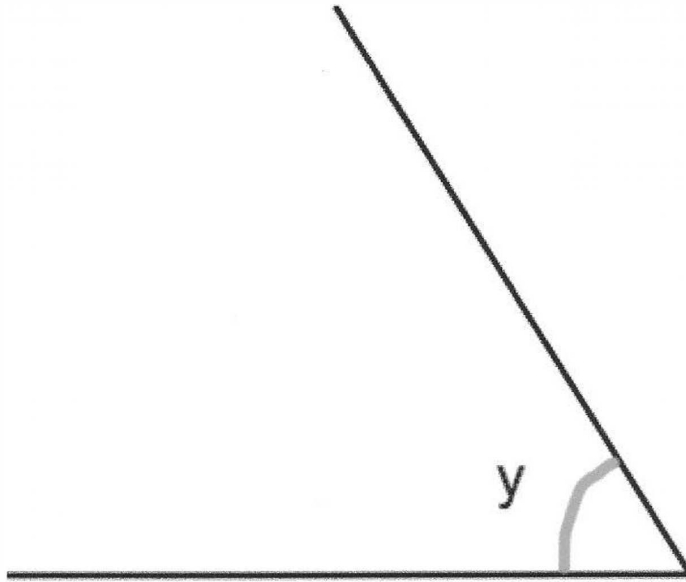
(b) Write down the size of the reflex angle.

.....192.....degrees  
(1)

(c) Find the sum of the three angles.

.....360.....degrees  
(1)

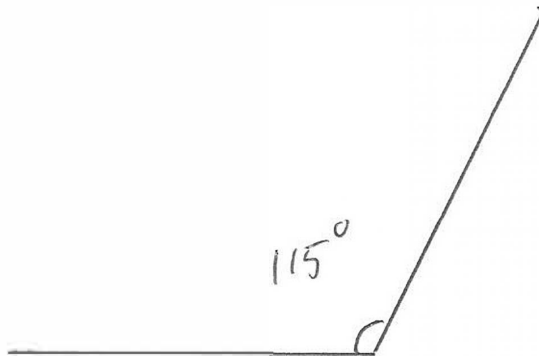
11. (a) Measure the size of angle  $y$



*your answer may vary slightly  
depending on printing.*

*57* .....°  
**(1)**

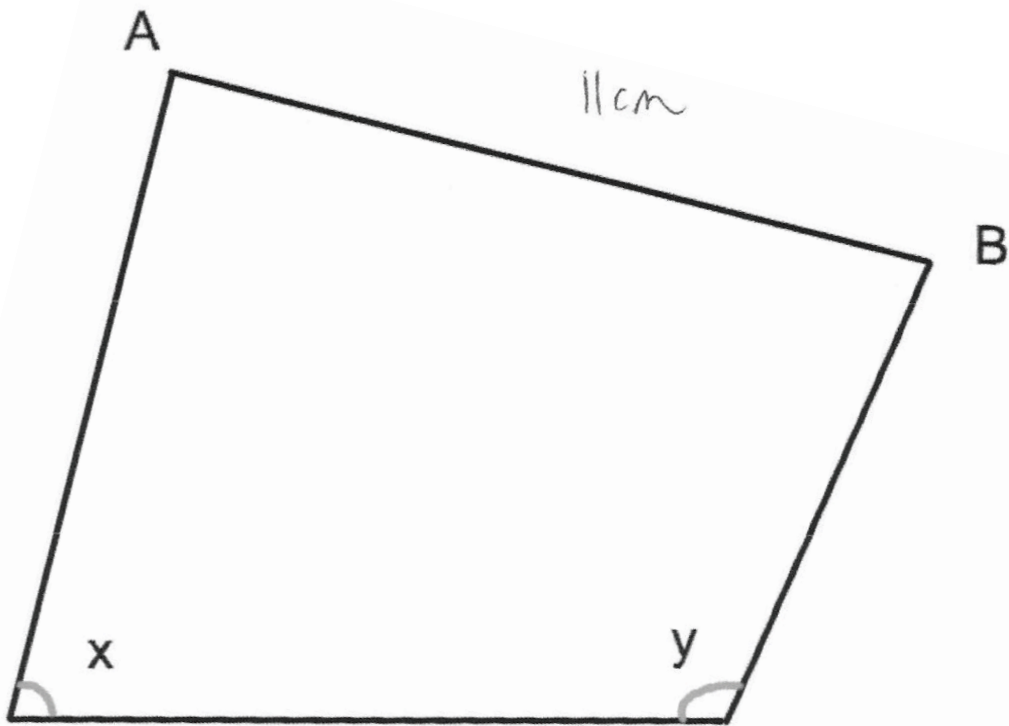
(b) Draw and label an angle of  $115^\circ$



**(1)**



12.



(a) Measure the length of the line AB.

..... 11 ..... cm  
(1)

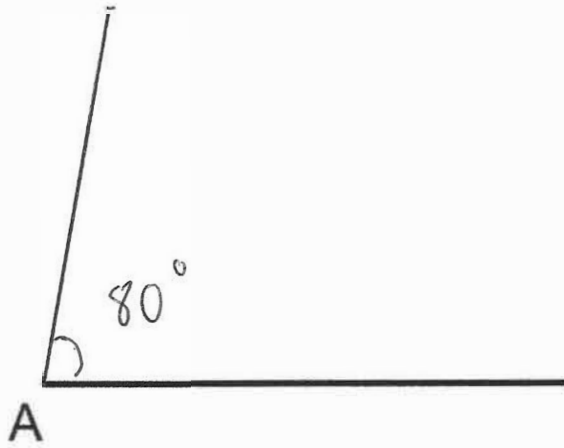
(b) What type of angle is x?

..... Acute .....  
(1)

(c) Measure the size of angle y.

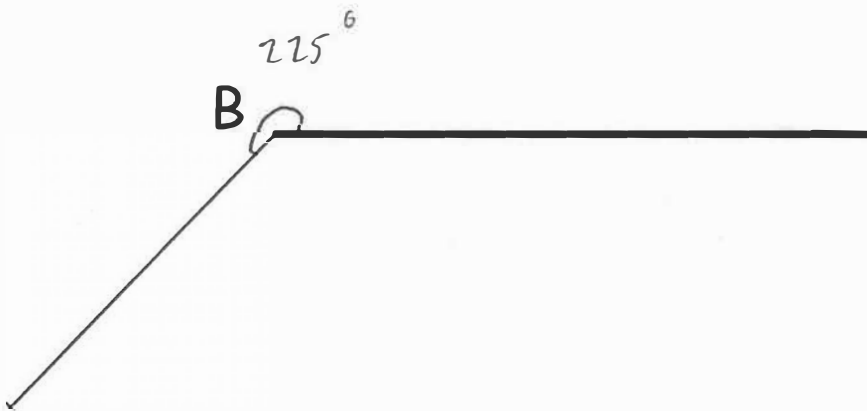
..... 114 ..... °  
(1)

13. (a) In the space below, draw an angle of  $80^\circ$  at A.



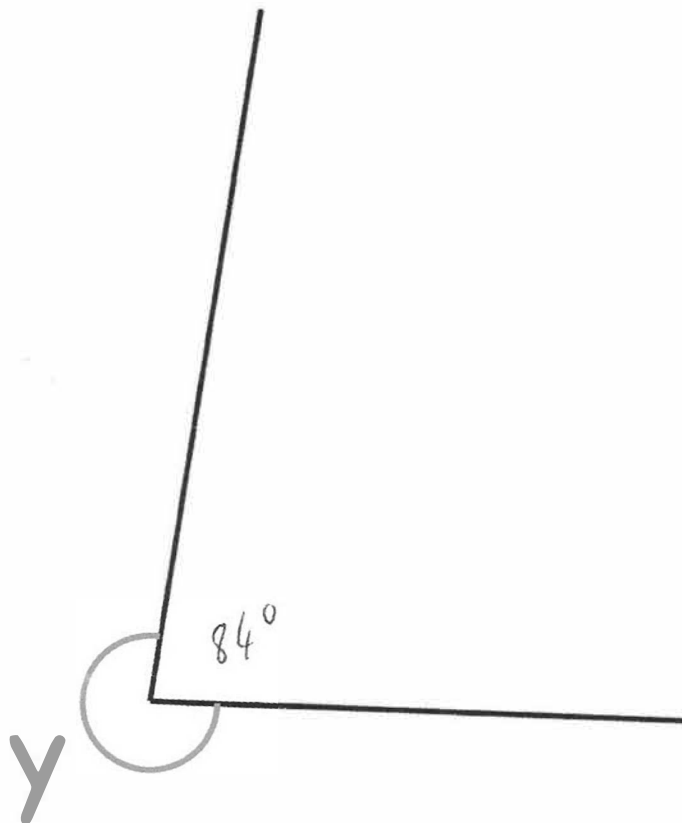
(1)

(b) In the space below, draw an angle of  $225^\circ$  at B.



(1)

14. Measure the reflex angle,  $y$ , shown below.



$$360 - 84 = 276$$

$$\underline{\underline{276}}^{\circ}$$

(1)

15.



Hannah is measuring an obtuse angle in her maths exam.  
She has written the answer  $32^{\circ}$

Her teacher has said she has looked at the outside number instead of the inside number on the protractor.

What angle should Hannah have put on her exam?

$$180 - 32$$

$$\underline{\underline{148}}^{\circ}$$

(1)