

Name:

Exam Style Questions

Enlargements: Ray Method



Equipment needed: Pencil, Ruler

Guidance

1. Read each question carefully before you begin answering it.
2. Check your answers seem right.
3. Always show your workings

Video Tutorial

www.corbettmaths.com/contents

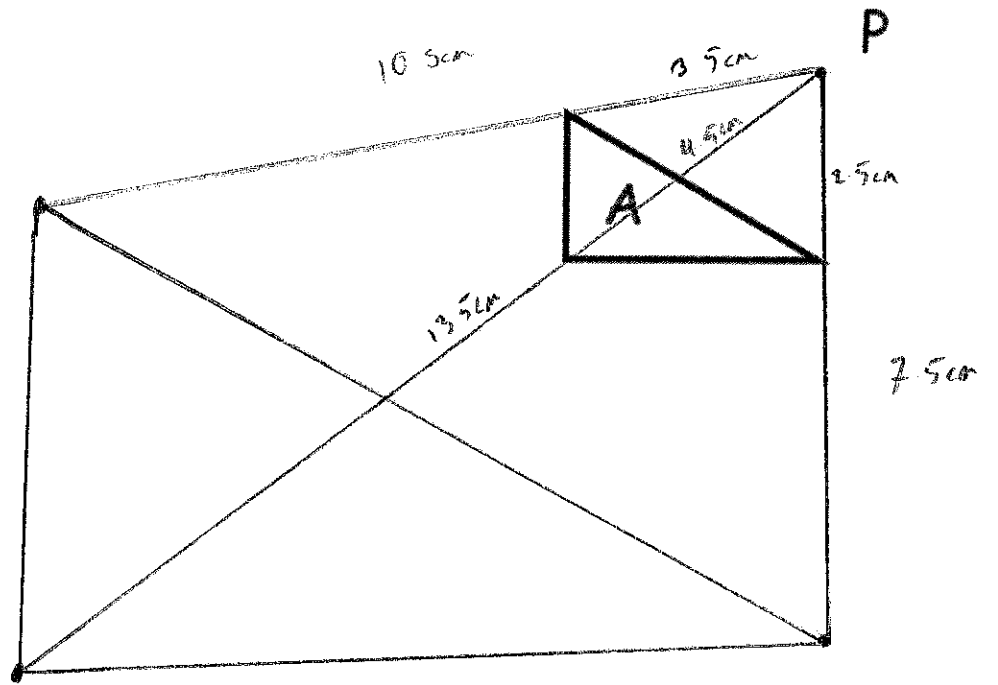
Video 109



Answers and Video Solutions



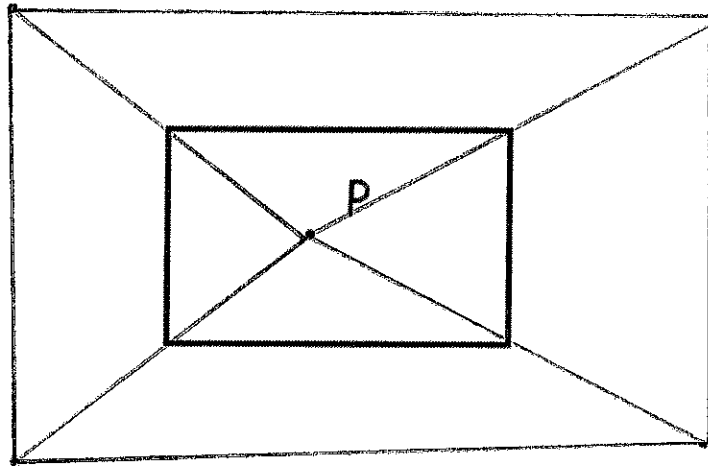
1.



Enlarge triangle A by scale factor 3, using P as a centre of enlargement.

(3)

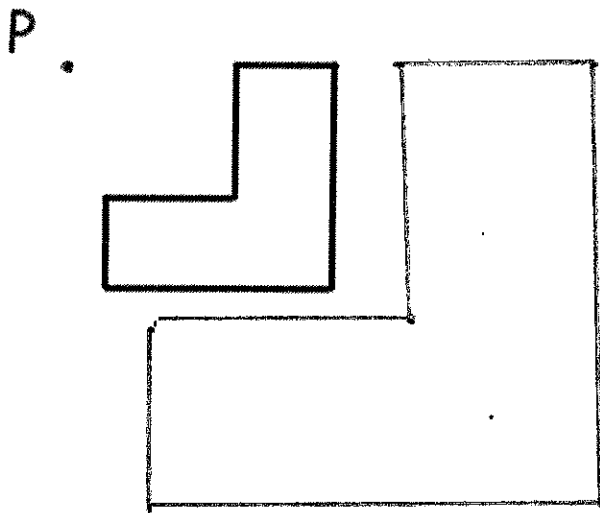
2.



Enlarge the rectangle by scale factor 2, using P as a centre of enlargement.

(3)

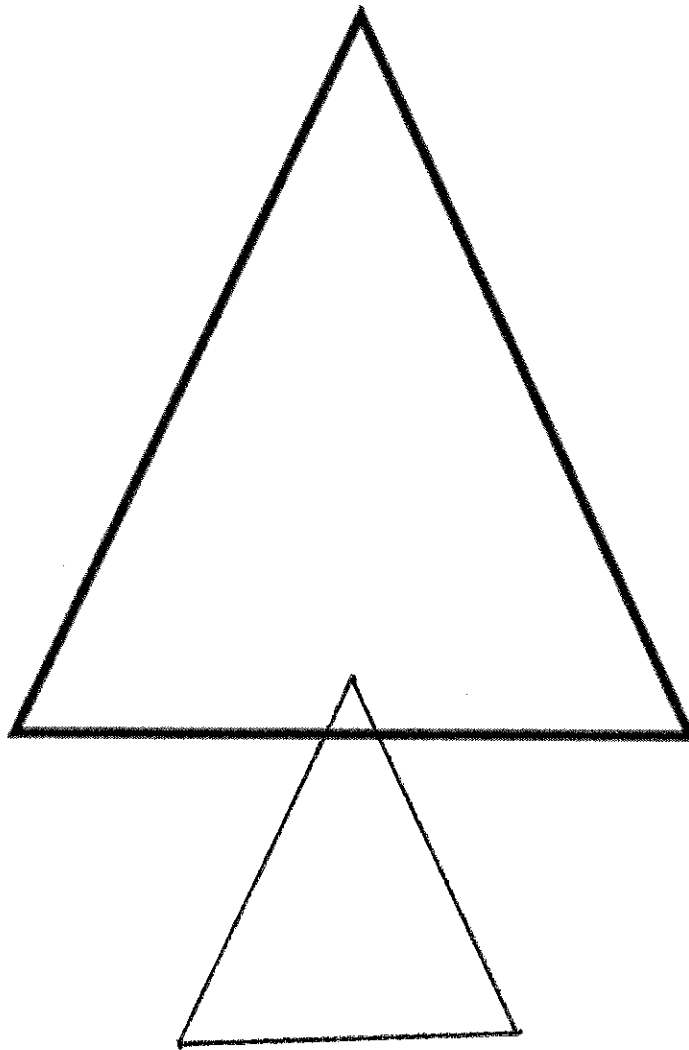
3.



Enlarge the L-shape by scale factor 2, using P as a centre of enlargement.

(3)

4.

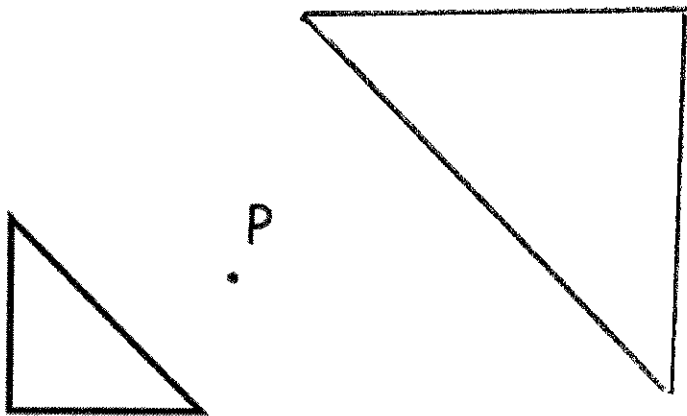


P .

Enlarge the triangle by scale factor $\frac{1}{2}$, using P as a centre of enlargement.

(3)

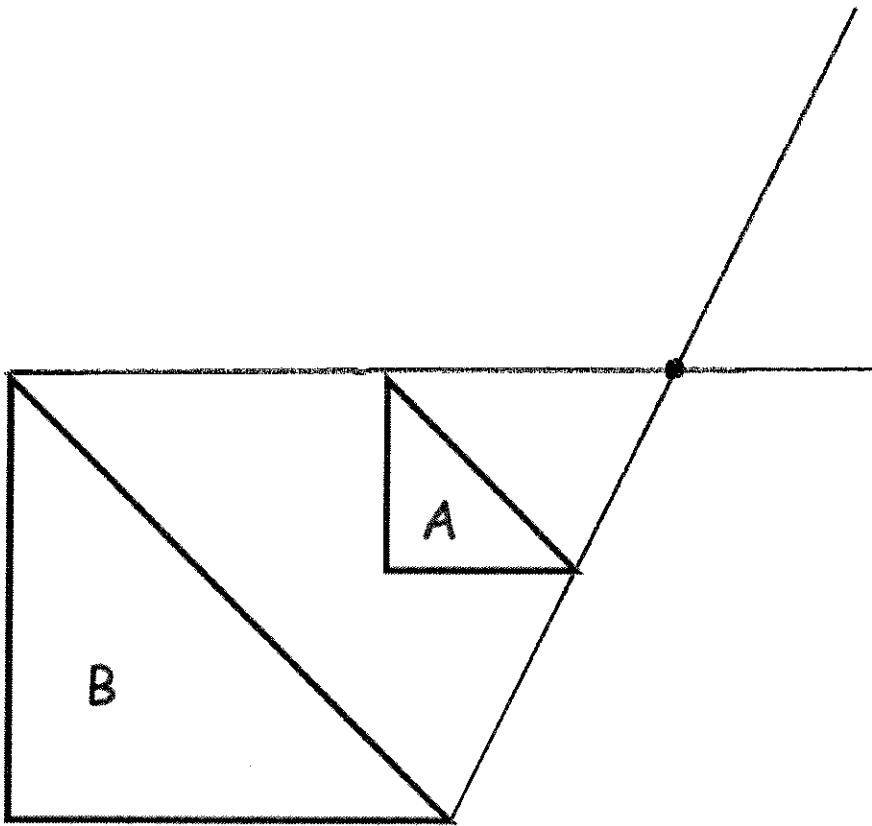
5.



Enlarge the triangle by scale factor -2 , using P as a centre of enlargement.

(3)

6. Triangle B is an enlargement of triangle A.



Find the centre of enlargement.

(1)