

Name:

Exam Style Questions

Area: Compound Shapes



Equipment needed: Pen, Calculator

Guidance

1. Read each question carefully before you begin answering it.
2. Check your answers seem right.
3. Always show your workings

Video Tutorial

www.corbettmaths.com/contents

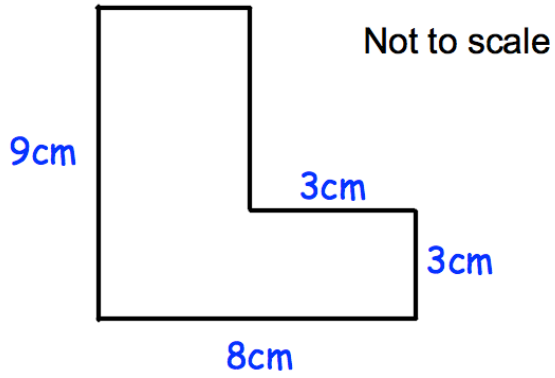
Videos 41, 42



Answers and Video Solutions



1.

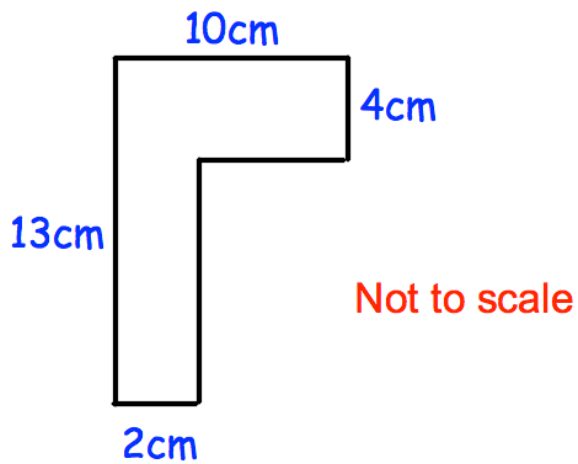


Calculate the area of the shape.

.....cm²
(3)

2.

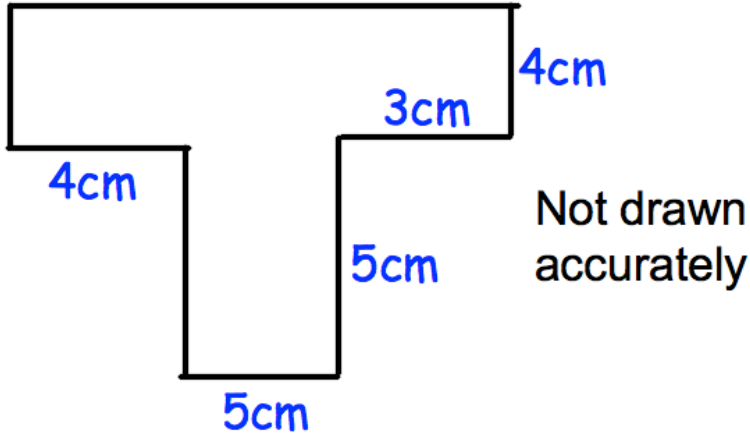
Shown is a compound shape.



Calculate the area of the shape.

.....cm²
(3)

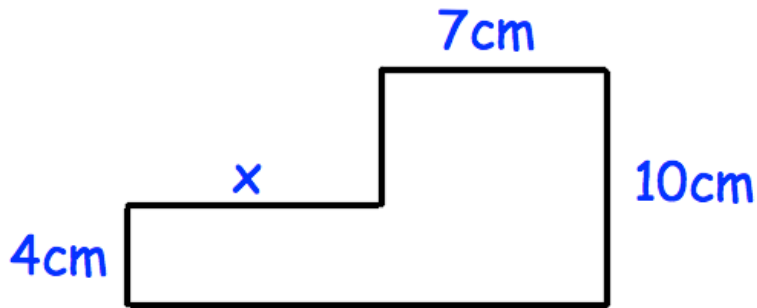
3.



Calculate the area of the shape.

.....cm²
(3)

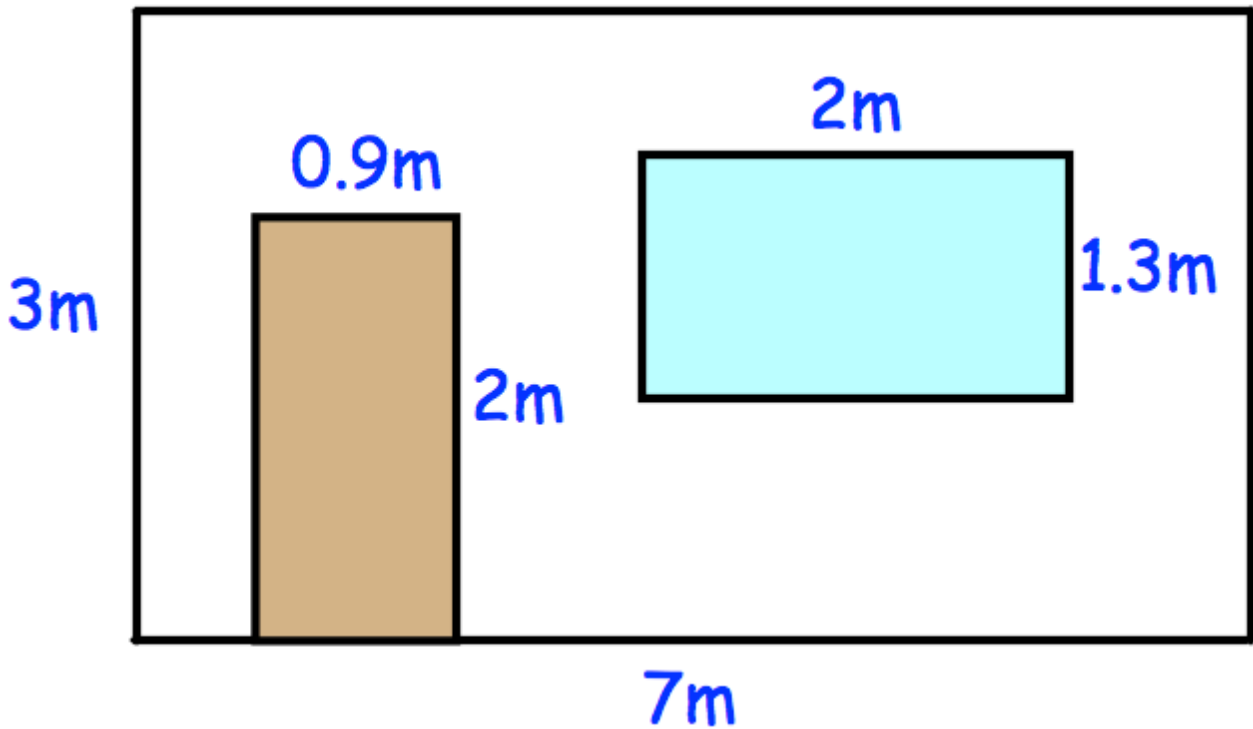
4.



The area of the compound shape is 106cm².
Work out the size of x.

.....cm
(3)

5. Connor is painting the front of his house.



The tin of paint he has can cover 16m^2 .

Will he have enough paint?

You **must** show your workings.

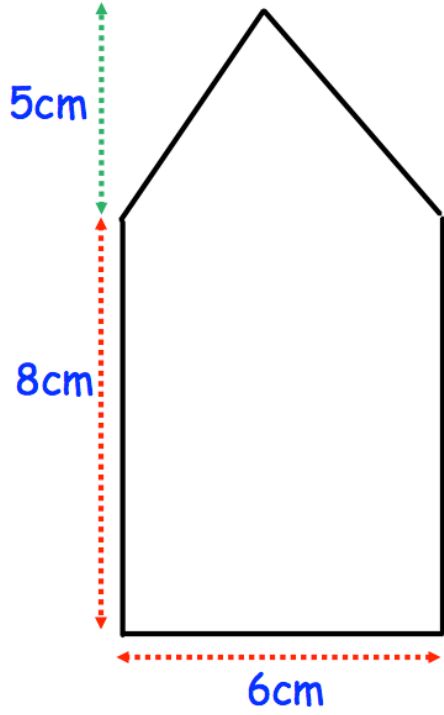
.....

.....

.....

(4)

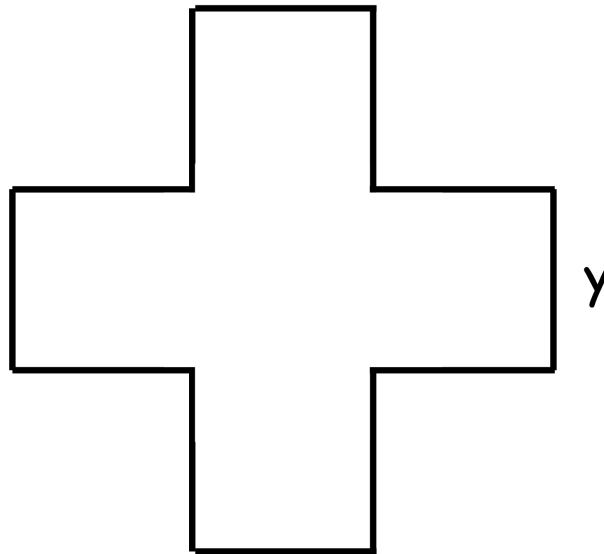
6.



Calculate the area of the shape above.

.....cm²
(3)

7. The shape below is made from five identical squares.

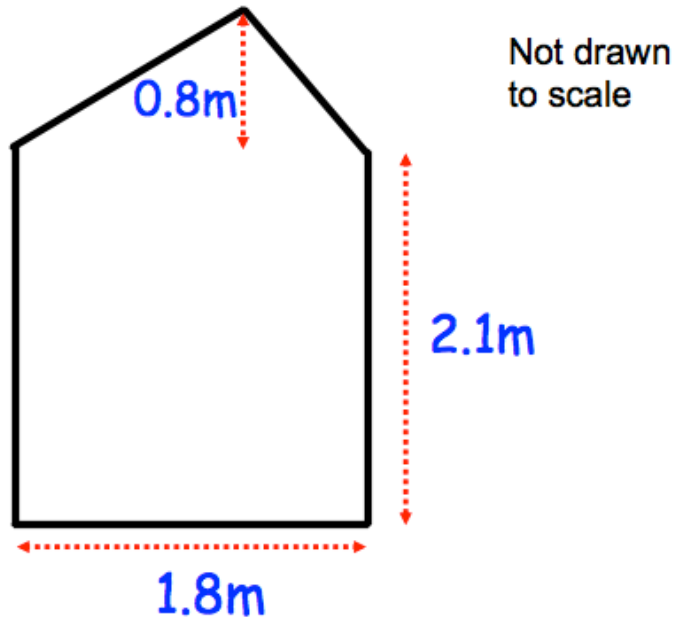


The area of the shape is 180cm^2

Work out the length of side y

.....cm
(3)

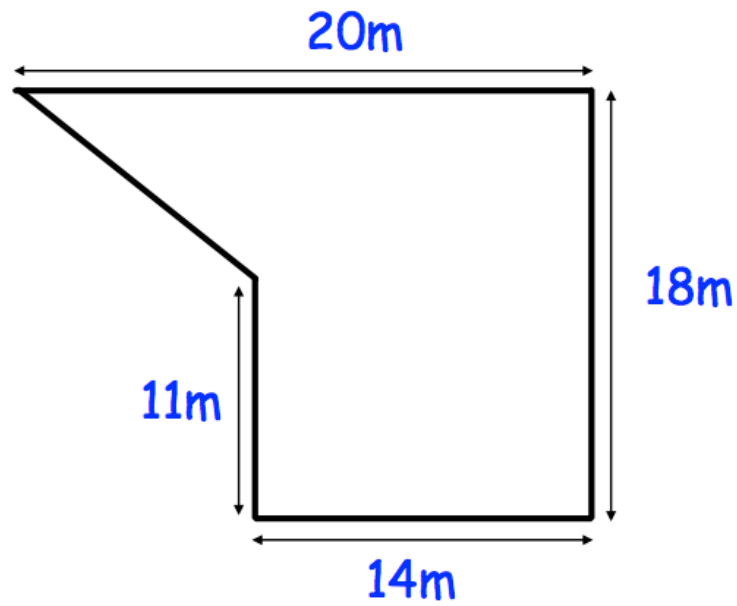
8.



The diagram represents the side view of a shed with a sloping roof.
Calculate the area of the side view of the shed.
Give your answer to an appropriate degree of accuracy.

.....m²
(3)

9. Shown is the plan of a small field.

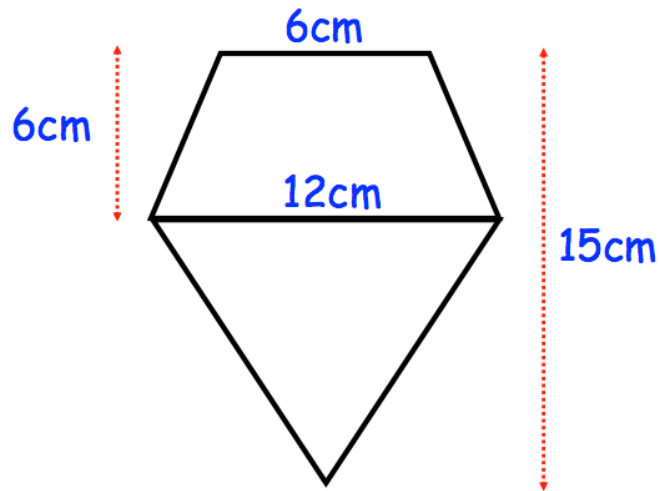


Thomas is going to keep some chickens in the field.
Each chicken needs 5m^2

Work out the greatest number of chickens Thomas can keep in the field.

.....
(5)

10. Bea makes a logo for a club in school.



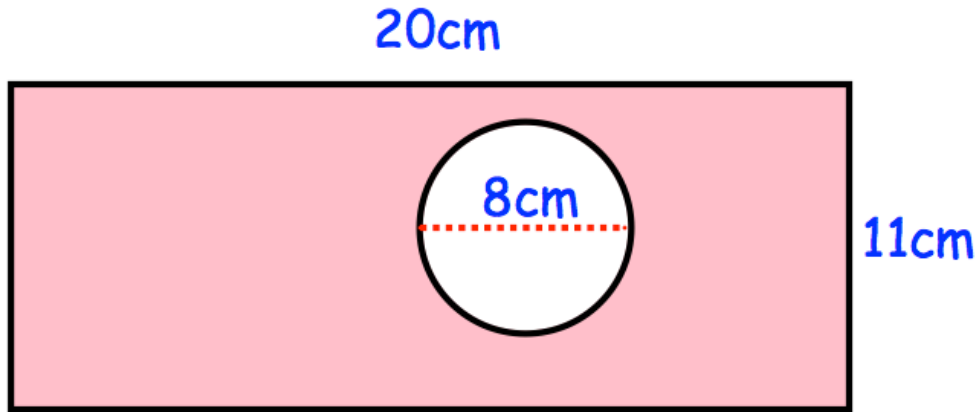
Work out the area of the logo.

.....cm²
(4)

11. The diagram shows a rectangle with a circle cut out.



Not drawn to scale



The rectangle has length 20cm and width 11cm.
The circle has diameter 8cm.

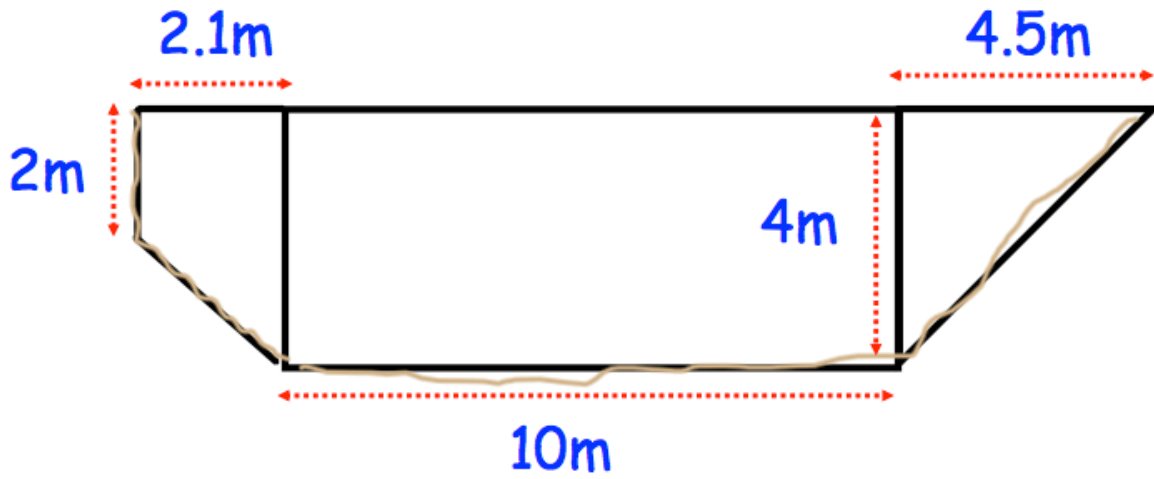
Work out the shaded area.
Give your answer correct to 2 decimal places.

.....cm²
(4)

12. Shown is a cross-section of a river.



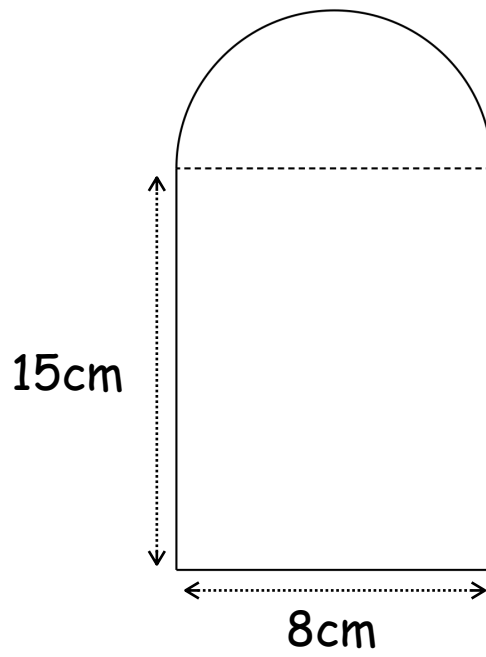
Not drawn to scale



Calculate an estimate of the area of the cross section by considering the trapezium, rectangle and triangle.

.....m²
(6)

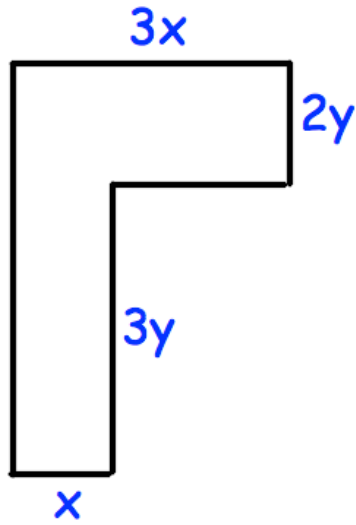
13. Shown below is a compound shape made from a rectangle and semi-circle.



Calculate the area of the shape.

.....cm²
(3)

14. Shown is a compound shape.



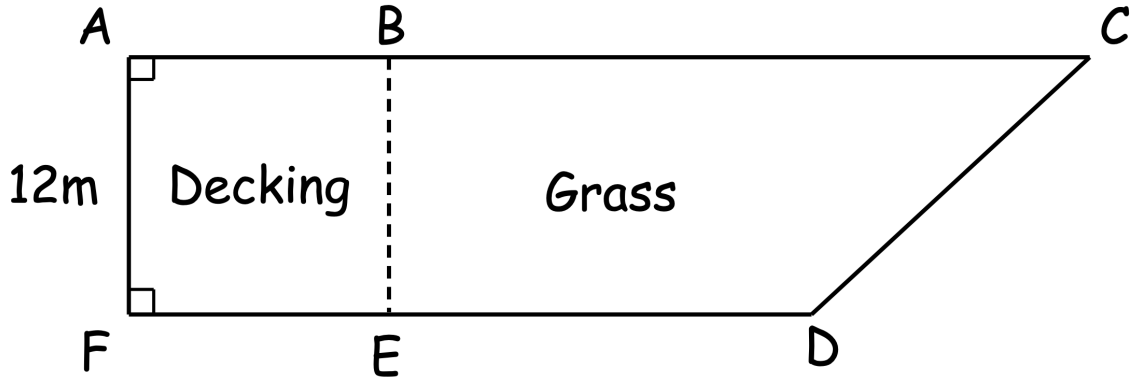
All measurements are in centimetres.
Find an expression for the area of the L shape.

.....cm²
(3)

15. A garden ACDF is a trapezium.
The garden is divided in two sections:



A square area of decking, ABEF and
A section of grass, BCDE.



$$AC = 46\text{m}$$

$$FE : ED = 2 : 3$$

Find the area of the garden, ACDF.

.....m²
(5)